

Scan me!



# Tobler Flex Props, Beams, Panels

The flexible formwork for every ceiling thickness



The Tobler Flex formwork system offers maximum flexibility and economy to achieve ceilings of any type or thickness.

## Your benefits

- Cost-effective girder system for maximum flexibility and durability
- Main and cross girder freely adjustable for all layouts
- Flexible in use for all ceiling thicknesses
- Formwork panels and coatings for any application
- Fully galvanised props with maximum load capacity and lowest net weight



**Tobler**<sup>®</sup>  
Scaffolding. Formwork.

# Tobler Flex Ceiling Formwork System

Props, beams, formwork panels.

## Flexible slab formworking with H 20 girder

Tobler Flex provides you with a premium, resistant complete system for forming ceilings. The Tobler system adapts to any layout. On top of that, Tobler Flex is perfectly suitable for creating joints and floor extensions.

### Benefits

- Adapts to any layout
- Very low material requirements owing to optimised distances between girders and props
- Simple system solution for joints and floor extensions
- Maximum flexibility
- Complete solution
- Compatible with third-party systems

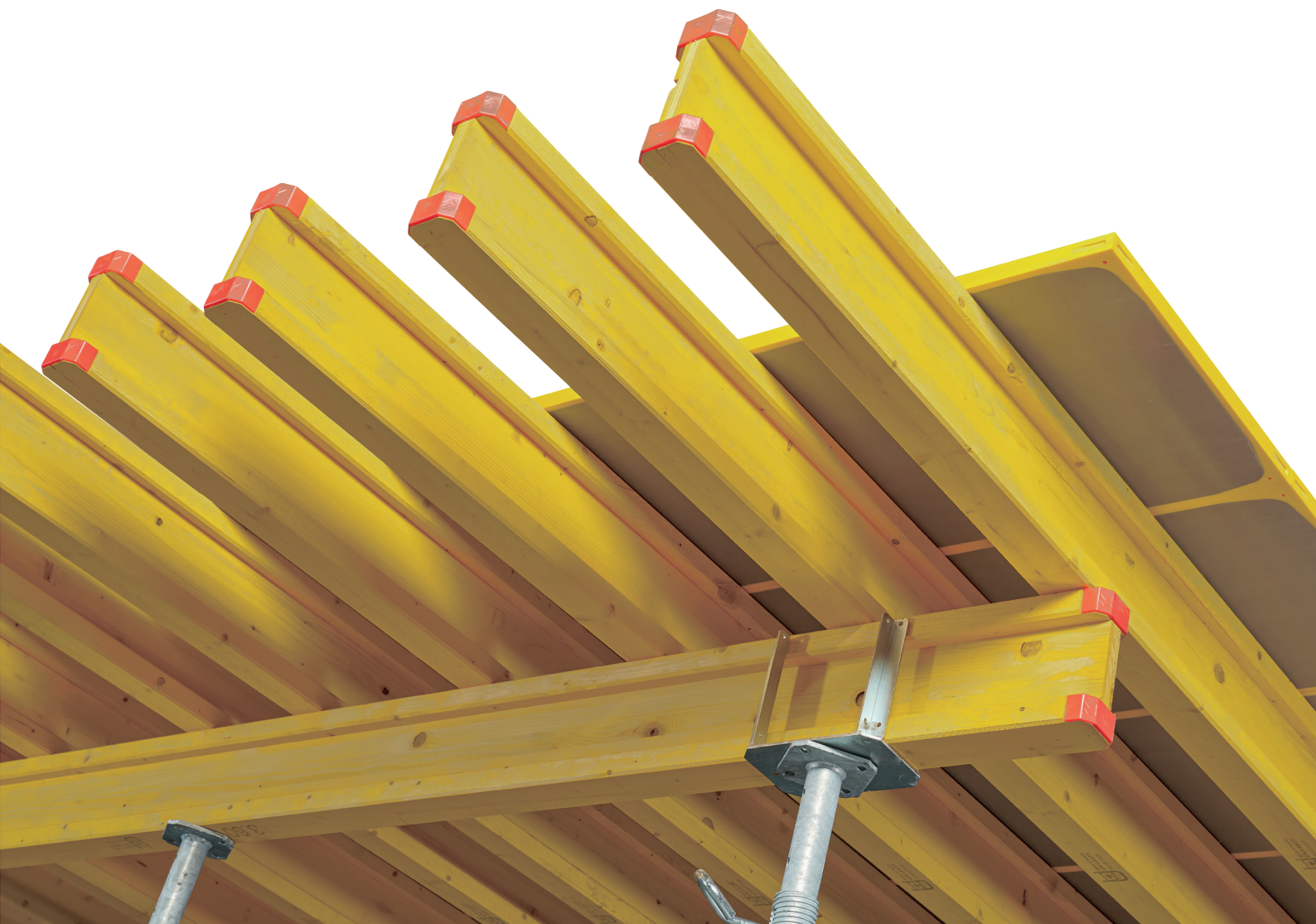
1. Formwork panels
2. H20 formwork beams
3. 4-way head H20
4. Prop
5. Tripod





## Our products

1. Props	4–5
2. 4-way head, tripod, and trench strut	6
3. Transport and storage	7
4. H20 formwork girders	8–9
5. Formwork panels	10–13





# Tobler Flex Props

Robust, fast, safe.

## The Tobler Flex prop

The fully galvanised prop with forged and robust threaded nut guarantees a long service life. The 6° thread accelerates working speed by 35%.



The Tobler Flex prop meets load classes D and E according to EN 1065. It stands out by its low net weight with a high load capacity of up to 41 kN.

## Benefits

- Load capacity table reproduced for each prop
- Safe working thanks to anti-handtrap and anti-dropout protection
- Long service life due to complete hot-dip galvanisation
- Extremely robust due to forged nut and 8 mm head and foot plate
- Fast-running 6° thread saves 35% time
- Load capacity 20 kN/30 kN
- Low net weight for energy-saving and fast working

EN 1065

TESTED



This product complies with the applicable health and safety protection requirements within the EU and EEA.

## Class D and E props

- Hot-dip galvanised steel
- Load capacity 20 kN

Article no.	Designation	Prop extension length	Weight	PU
84-F-221250	D 25 Eco	146–250 cm	13,0 kg	50 pces
84-F-221300	D 30 Eco	182–300 cm	15,9 kg	50 pces
84-F-221350	D 35 Eco	207–350 cm	17,6 kg	40 pces
84-F-221400	D 40	225–400 cm	22,1 kg	40 pces
84-F-221450	D 45	250–450 cm	27,5 kg	40 pces
84-F-221550	D 55	303–550 cm	35,0 kg	30 pces

- Load capacity 30 kN

Article no.	Designation	Prop extension length	Weight	PU
84-F-223300	E 30	175–300 cm	17,5 kg	40 pces
84-F-223350	E 35	198–350 cm	23,8 kg	40 pces
84-F-223400	E 40	225–400 cm	26,0 kg	40 pces



84-F-22...



# Tobler Flex Props

Maximum load capacity in classes D and E.



## Permissible load capacity according to DIN EN 1065 classes D and E

Type	D 25 ECO	D 30 ECO	D 35 ECO	D 40	D 45	D 55	E 30	E 35	E 40
from	1,46 m	1,82 m	2,07 m	2,25 m	2,50 m	3,03 m	1,75 m	1,98 m	2,25 m
to	2,50 m	3,00 m	3,50 m	4,00 m	4,50 m	5,50 m	3,00 m	3,50 m	4,00 m
Load	Top	Top	Top	Top	Top	Top	Top	Top	Top
(m)	(kN)	(kN)	(kN)	(kN)	(kN)	(kN)	(kN)	(kN)	(kN)
5,50	-	-	-	-	-	21,80	-	-	-
5,40	-	-	-	-	-	22,90	-	-	-
5,30	-	-	-	-	-	23,90	-	-	-
5,20	-	-	-	-	-	25,10	-	-	-
5,10	-	-	-	-	-	26,60	-	-	-
5,00	-	-	-	-	-	27,50	-	-	-
4,90	-	-	-	-	-	29,30	-	-	-
4,80	-	-	-	-	-	30,60	-	-	-
4,70	-	-	-	-	-	32,60	-	-	-
4,60	-	-	-	-	-	33,70	-	-	-
4,50	-	-	-	-	20,60	35,60	-	-	-
4,40	-	-	-	-	21,80	37,60	-	-	-
4,30	-	-	-	-	23,00	39,00	-	-	-
4,20	-	-	-	-	24,40	39,00	-	-	-
4,10	-	-	-	-	25,80	39,00	-	-	-
4,00	-	-	-	21,80	27,30	39,00	-	-	33,20
3,90	-	-	-	22,60	28,90	39,00	-	-	36,80
3,80	-	-	-	24,50	30,70	39,00	-	-	39,00
3,70	-	-	-	26,50	32,70	39,00	-	-	41,00
3,60	-	-	-	27,70	34,70	39,00	-	-	41,00
3,50	-	-	20,60	29,60	35,00	39,00	-	32,00	41,00
3,40	-	-	20,90	31,90	35,00	39,00	-	35,30	41,00
3,30	-	-	21,30	33,80	35,00	39,00	-	37,70	41,00
3,20	-	-	21,70	35,20	35,00	39,00	-	40,00	41,00
3,10	-	-	22,20	36,40	35,00	39,00	-	41,00	41,00
3,00	-	21,10	22,70	38,30	35,00	39,00	32,40	41,00	41,00
2,90	-	23,10	23,30	39,00	35,00	-	35,80	41,00	41,00
2,80	-	24,80	24,00	39,00	35,00	-	36,40	41,00	41,00
2,70	-	27,00	24,60	39,00	35,00	-	37,30	41,00	41,00
2,60	-	28,90	25,30	39,00	35,00	-	38,80	41,00	41,00
2,50	20,20	30,60	26,00	39,00	35,00	-	39,70	41,00	41,00
2,40	21,30	32,10	26,70	39,00	-	-	40,00	41,00	41,00
2,30	22,50	34,00	27,50	39,00	-	-	41,00	41,00	41,00
2,20	23,30	36,80	28,50	-	-	-	41,00	41,00	-
2,10	24,00	39,00	30,00	-	-	-	41,00	41,00	-
2,00	24,60	39,00	-	-	-	-	41,00	41,00	-
1,90	25,80	39,00	-	-	-	-	41,00	-	-
1,80	26,90	39,00	-	-	-	-	41,00	-	-
1,70	28,40	-	-	-	-	-	-	-	-
1,60	30,10	-	-	-	-	-	-	-	-
1,50	31,80	-	-	-	-	-	-	-	-

# Tobler Flex Props

4-way head, tripod, and trench strut.

## 4-way head

- Hot-dip galvanised steel

Article no.	Description	Weight
84-F-210026	with 26 mm tube	2,4kg
84-F-210038	with 38 mm tube	2,4kg



84-F-210026

## Tripod

- Hot-dip galvanised steel

Article no.	Weight
84-F210012	8,5kg



84-F-210012

## Trench strut

- Powder-coated, black
- Packaging unit: 50 pieces

Article no.	Height	Weight
84-F-345065	0,45–0,65m	7,5kg
84-F-360095	0,60–0,95m	9,0kg
84-F-380130	0,80–1,30m	10,0kg
84-F-300170	1,00–1,70m	14,0kg

*Hot-dip galvanised version on request*



84-F-345065

# Tobler Flex Props

Transport and storage.



## Storage racks for props

The storage rack features a highly robust design. It is therefore ideal for storing long items.



### Benefits

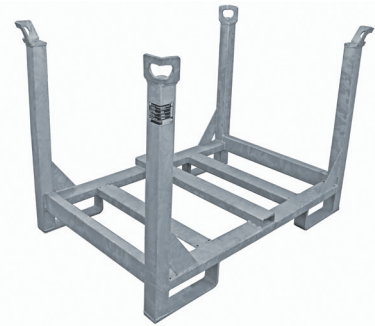
- Made entirely of hot-dip galvanised steel
- For all prop types in classes E, D, and B
- Stackable

EN 1090



### TESTED

This product complies with the applicable health and safety protection requirements within the EU and EEA.



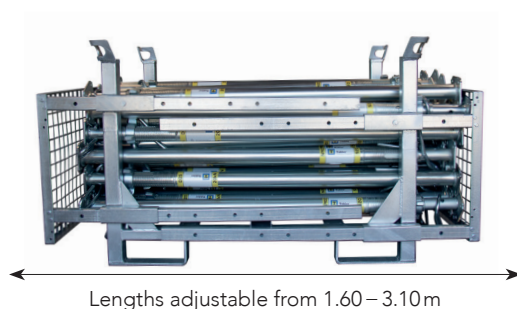
84-F-210080

Article no.	Length	Width	Height	Weight	Load-bearing capacity
84-F-210080	120 cm	80 cm	70 cm	56,6 kg	2'000 kg

## Storage rack for props with anti-fall protection

The unique, enclosed storage rack can be adjusted to any length, all with that renowned Tobler quality.

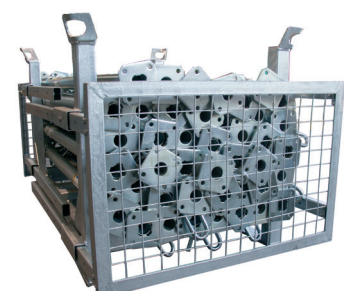
Thanks to the integrated anti-fall protection, complete safety is ensured during transportation and handling on the construction site.



New

### Benefits

- Extremely safe during transport owing to lateral anti-fall protection
- Can be adjusted to any length
- Tested to EN 1090
- New to the Swiss market



Article no.	Length	Width	Weight	Load-bearing capacity	Additional load
84-F-212080	160–310 cm	80 cm	93 kg	1'500 kg	4'500 kg



# Tobler Flex H20 Girder Beams

Providing high mechanical resistance.

## Above-querage service life

The H20 wood formwork beam is a 20 cm high solid-web beam with a resistant protective cap system.

The sturdy plastic cap prevents premature splintering at the exposed ends.

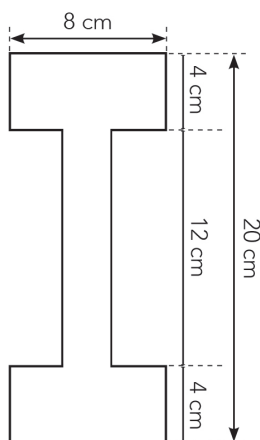
The 3-layer spruce wood construction, guarantees an above-average service life.

### Technical information

Beam height:	20 cm
Permissible transverse force:	11,0 kN
Permissible supporting force:	22 kN
Permissible bending moment:	5,0 kNm
Specific weight:	4,6 kg/m
Height of flanges:	4 cm



84-F-520245



## Benefits

- Versatile in use for ceilings, bridges, tunnels, and special formworks
- Impact-resistant, bevelled protective cap made of plastic – protects against splintering at the flange ends
- High dimensional stability – 3-layer laminated web in solid wood
- Comb-like coupled web and flanges using finger jointing
- DIBt approval Z-9.1.146



### TESTED

Complies with the applicable health and safety protection requirements within the EU and EEA.

# Tobler Flex H 20 Girder Beams

Made for heavy loads.



## Available in all sizes

- Packaging unit: 100 pieces

Article no.	Length	Weight
84-F-520190	190 cm	8,7 kg
84-F-520245	245 cm	11,2 kg
84-F-520265	265 cm	12,1 kg
84-F-520290	290 cm	13,3 kg
84-F-520330	330 cm	15,1 kg
84-F-520360	360 cm	16,5 kg
84-F-520390	390 cm	17,9 kg
84-F-520450	450 cm	20,7 kg
84-F-520490	490 cm	22,5 kg
84-F-520590	590 cm	27,1 kg



# Tobler Flex Formwork Panels

Longlife Panel – a new benchmark for robustness.

## The plastic-coated formwork panel of the future

Experience the future of concreting with the Tobler Longlife Panel. The innovative formwork panel has all-round polyurethane edge protection.

Neither falls nor heavy blows can harm the panel. Longlife Panels can cope with more than 100 usage cycles with a consistent concrete look and are ideal for exposed concrete.

- Packaging unit: 40 pieces

Article no.	Dimensions:	Area	Weight
84-F-505200	200 × 50 cm	1 m <sup>2</sup>	15,5kg

### Technical information

Wood type:	spruce
Coating:	3-layer concrete formwork panel with plastic surface, abrasion-resistant, nailable.
Thickness:	27 mm
Bending strength EN 785:	35 m <sup>2</sup>
Specific weight:	15.5 kg/m <sup>2</sup>



84-F-505200



Even the strongest blows cannot damage the reinforced edges and corners.



Three-layer wood and top layers in plastics generate the perfect concrete look.



Integrated nail holes avoid splintering damage and prevent absorption of moisture.

# 100 +

Indestructible and uniquely economical: we guarantee at least 100 usage cycles.



# Tobler Flex Formwork Panels

Innovative and sustainable.



## Sustainably cost-efficient

Get ready for sustainability with the new Tobler Longlife Panel.



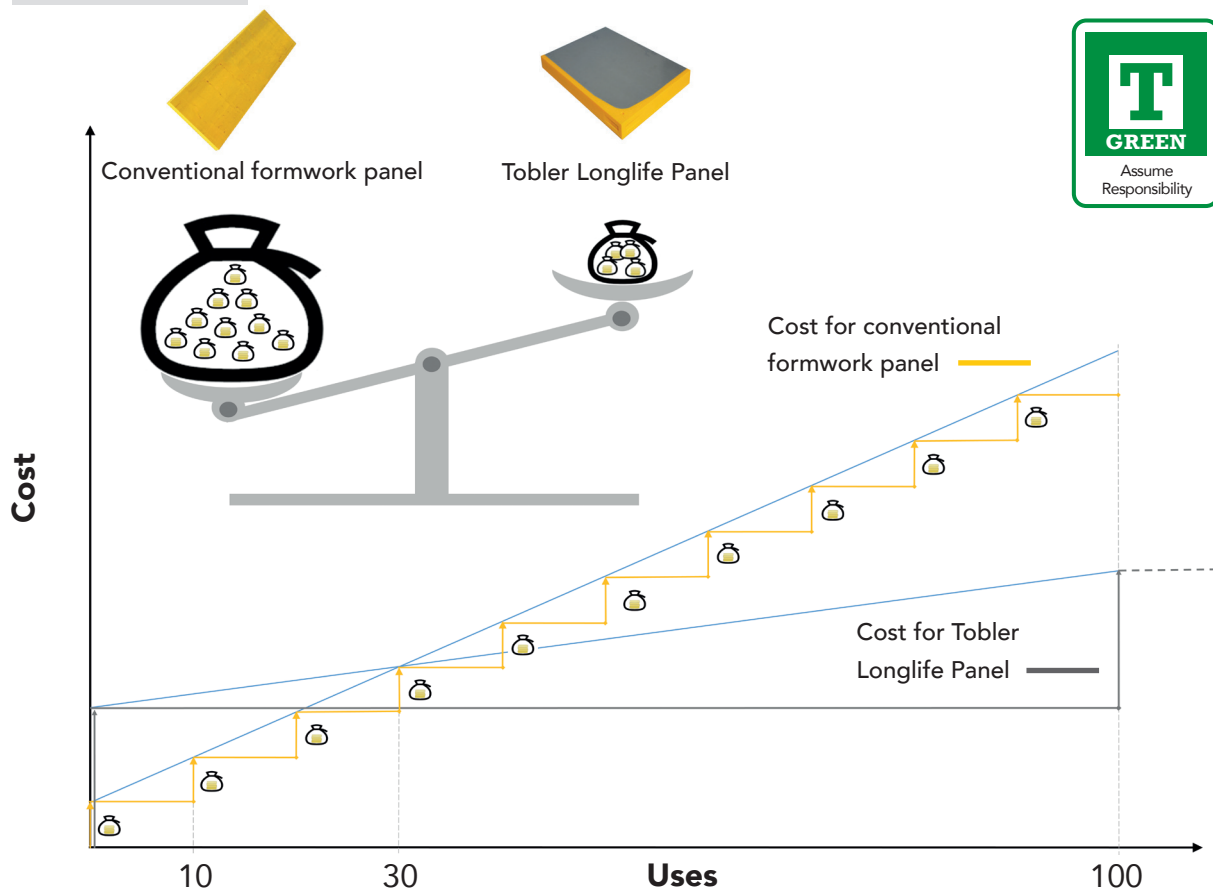
A conventional formwork panel just lasts around 10 uses before it already has to be replaced.

## Benefits

- Plastic-coated with polyurethane edge protection
- Consistent, durable concrete appearance
- For a perfect exposed concrete result
- Integrated nail holes
- Impact-resistant edges and corners
- Economic efficiency
- Long service life

A Tobler Longlife Panel manages 100 or even more usage cycles with a perfect look. It pays off after as little as 30 uses – both for you and our environment.

Example: cost for 100 uses



# Tobler Flex Formwork Panels

FIR – Stock.

## Resistant formwork panel with plastic surface

You can achieve smooth, even concrete surfaces using the three-layer FIR – Stock formwork panel with its polyolefin-based formwork shell.

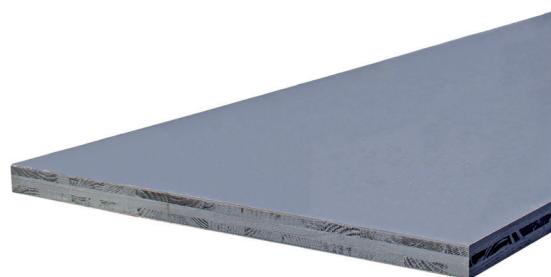
The plastic surface makes it easier to nail, thus avoiding chipping during nailing. The panel is both resistant to water, alkali concrete and other corrosive agents.

- Packaging unit: 40 pieces

Article no.	Dimensions:	Area	Weight
84-F-504200	50 × 200 cm	1 m <sup>2</sup>	15,0 kg
84-F-504250	50 × 250 cm	1,25 m <sup>2</sup>	18,7 kg

### Technical information

Wood type:	spruce
Coating:	3-layer concrete formwork panel with polyolefin-based plastic surface
Thickness:	27 mm
Bending strength EN 789:	35 m <sup>2</sup>
Specific weight:	15.0 kg/m <sup>2</sup>



84-F-504...

### Benefits

- High wear resistance
- No chipping when nailing
- Water-resistant surface (< 3 %)
- Quick and easy removal of concrete residues from panels
- Chemically resistant
- Long service life

# Tobler Flex Formwork Panels

Melamine resin coated wood panels.



## The conventional coated wooden formwork panel

The 3-layer formwork panel combines quality, durability, and dimensional stability. The panel is fully sanded and weatherproof glued with a melamine resin coating. The special PU edge sealing prevents penetration of moisture and concrete adhesion. Large or special sizes are also available on request.

- Packaging unit: 40 pieces

Article no.	Size	Area	Weight
84-F-515100	100 × 50 cm	0,5 m <sup>2</sup>	6,2 kg
84-F-515150	150 × 50 cm	0,75 m <sup>2</sup>	9,3 kg
84-F-515200	200 × 50 cm	1 m <sup>2</sup>	12,5 kg
84-F-515250	250 × 50 cm	1,25 m <sup>2</sup>	15,6 kg
84-F-515300	300 × 50 cm	1,5 m <sup>2</sup>	18,7 kg

### Technical information

Wood type:	spruce
Coating:	Fully sanded surface Resistant melamine resin coating
Glue:	BFU 100 (AW 100)
Thickness:	27 mm
Bending strength EN789:	35 m <sup>2</sup>
Specific weight:	approx. 12.5 kg/m <sup>2</sup>



84-F-515...

### Benefits

- Highest quality and dimensional stability
- Water-repellent edge sealing
- No cracking due to the bar structure in the ceiling layers
- Fully sanded
- Resistant melamine resin coating
- Continuously glued middle layer, thus no breaking of the longitudinal edges



# Tobler Mission statement

Efficiency. Flexibility. Safety.



## Mission statement

Together we implement solutions that are centred around the customer and their success.

We support you as a reliable partner for all matters relating to scaffolding and formwork assembly, and develop customer-specific solutions – from planning through engineering to production.

As an innovative full-service provider, we think ahead. We carry our philosophy of efficient, flexible and safe construction further into the industry.

With our products you can rely on excellent functionality and the highest production quality.



Swiss Engineering.  
Swiss Technology.



# Tobler Products

Enjoying industrialized construction.



## MATO Scaffolding

	<b>MATO 1</b>	Facade scaffolding.
	<b>MATO 2</b>	Facade scaffolding.
	<b>MATO 3</b>	Facade scaffolding.
	<b>MATO 8</b>	Modular scaffold system.
	<b>MATO C</b>	Compatible systems.
	<b>MATO Connect</b>	Bridging systems.
	<b>MATO Pro</b>	Roof scaffolding systems.
	<b>MATO R</b>	Rolling towers.
	<b>MATO Z</b>	Scaffolding accessories.

## Tobler Formwork

	<b>Tobler Top</b>	Wall formwork.
	<b>Tobler Deck</b>	Slab formwork.
	<b>Tobler Flex</b>	Props, beams, panels.
	<b>Tobler Manu</b>	Handset formwork.
	<b>Tobler Varia</b>	Special formworks.
	<b>Tobler Tower</b>	Heavy duty supports Alu.
	<b>Tobler Rent</b>	Rental park.
	<b>Tobler Care</b>	Renovation.

## Tobler Construction

	<b>Tobler Industry</b>	Mounting safely.
	<b>Tobler Trading</b>	Buying at a reasonable price.
	<b>Tobler Storage</b>	Creating order more efficiently.
	<b>Tobler Nature</b>	Safe off-road.
	<b>Tobler Special</b>	Custom-made products made to measure.

## Tobler Occasions

	<b>Tobler Occasions Formworking</b>	Good, even used.
	<b>Tobler Occasions Scaffolding</b>	Worth the price.





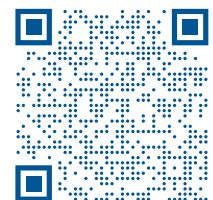
## At home in Switzerland – anchored in Europe

We are constantly driving forward the internationalisation of our product range.



**Order  
& advice**  
schalung@tobler-ag.com  
+41 71 886 06 37

### Online order



« Our services include the sale and rental of premium, efficient formwork systems. Ask us about our attractive trade-in offer! »



**Jan Amann**  
Technical expert  
and consultant

